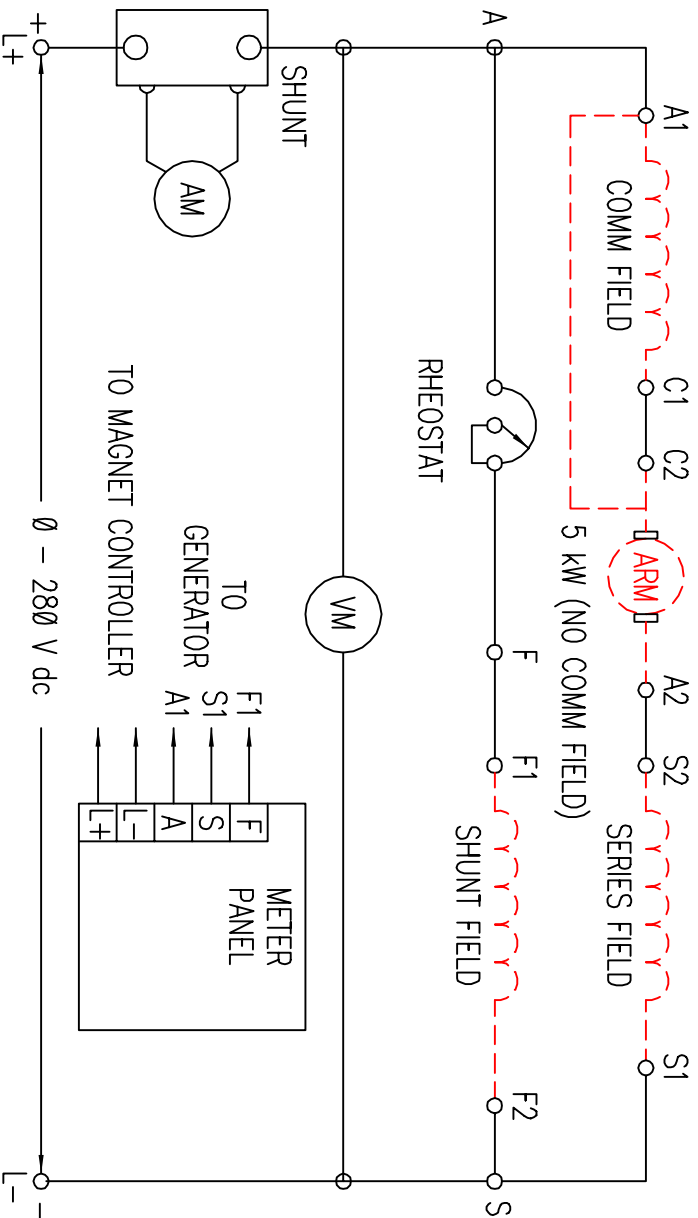


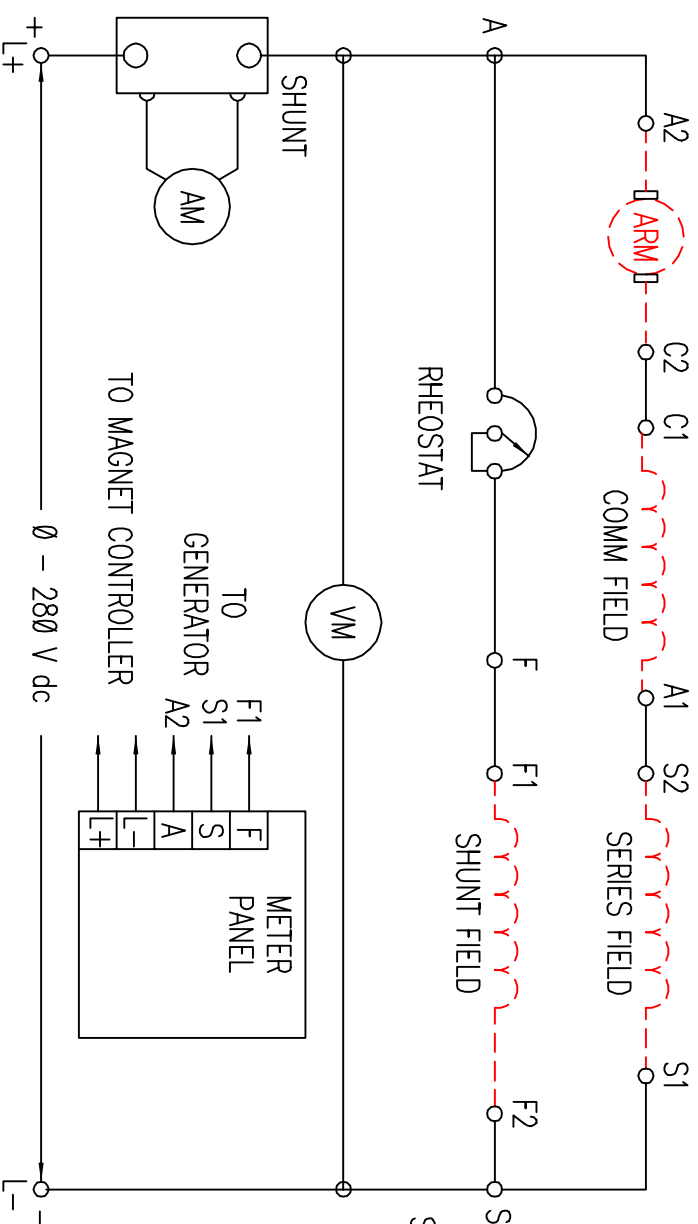
200.0

GENERATOR CONNECTION DIAGRAM

CLOCKWISE ROTATION FACING SHAFT END
5 kW THRU 33 kW



COUNTERCLOCKWISE ROTATION FACING SHAFT END
8 kW THRU 33 kW



B-100653

100.0

THIS PART NUMBER MUST APPEAR ON DECAL



DIM: mm

TOL: ±0.5 mm

20 APR 2007	JPS	REVISED	ER-3011-34
19 JAN 2004	JPS	REVISED	ER-3011-32
21 AUG 2002	PAK	REVISED	ER-4050-225
25 OCT 1979	PAK	ADDED	C1 & C2

OHIO MAGNETICS, INC.
STEARNS MAGNETICS

SUBSIDIARY OF PEERLESS WINSMITH, INC.
MAPLE HEIGHTS, OHIO

PART GENERATOR CONNECTION DECAL
 REMARKS FOR CONTROLLER BOX
 DRAWN BY PAK DATE 05 MAR 1979
 CHECKED BY PAK SCALE 2:1
 PART NO. B-100653